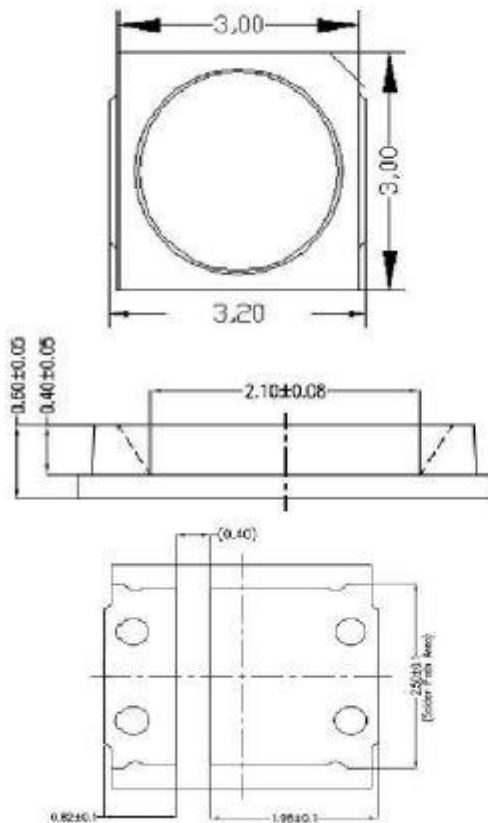


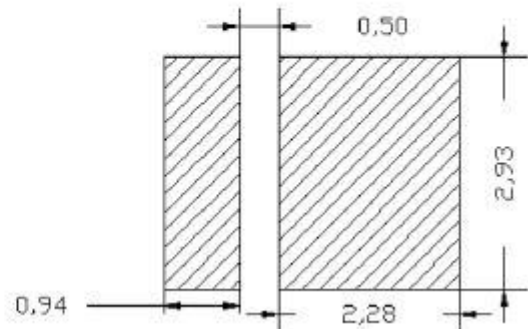
SMD 3030 UV 365nm led

SMD chip UV led, 3030 is the special size. Dongguan Zhiding Electronics Technology Co., Ltd is led manufacturer in China, professionally provide design, production and manufacture of LEDs and LED components.

■ Package Dimensions:



Recommended Soldering Pattern



Notes:

1. All dimensions are in millimeters (inches).
2. Tolerance is $\pm 0.10\text{mm}$ (0.004") unless otherwise specified.

Features :

- Chip Material: InGaN
- Lens Color: Water Clear
- Emitted Color: UV 365-420nm
- 3.0×3.0×0.6mm (3030) standard package.
- Suitable for all SMT assembly methods.

- Compatible with infrared and vapor phase reflow solder process.
- Compatible with automatic placement equipment.

Below is data sheet for 0.5W type (150mA), 3030 SMD LED also have 1W type.

Product Name	SMD 3030 UV LED 365nm	Product Model	AL-H30EMU36-ELI K-W1
Power Dissipation	0.5W	Light Color	UV
Forward Voltage	3.2-4.2V	Viewing Angle	120°
Forward Current	150mA	Operating Temperature	-40 - 80°C
Radiant Flux	100-300mW	Storage Temperature	-40 - 100°C
Wavelength	365nm	Soldering Temperature	260°C

Notes:

1. Tolerance of Luminous Intensity $\pm 15\%$
2. Tolerance of Forward Voltage $\pm 0.1V$

UV LED Series:

UV Wavelength Range: 270nm, 275nm, 280nm, 365-420nm

Molding Encapsulation Technology

High Purity Ceramic Base

Imported UV resistant silica gel

High quality UV Chip

High Radiation Power

60°, 120° Beam Angle for 3535 5050 UV Series

High power 1-3W UV LED

RELATED PRODUCTS



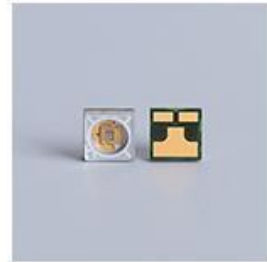
High Power UV
365nm LED



High Power UV
405nm LED



High Power UV
4040 LED



High Power UV C LED

Application Scenario

UV LED 365-420nm are widely used for currency Detector, Fluorescence Detection, 3D Printing, Ink Curing, Exposure, LED Plant Grow & Aquarium Lights, Biological Detection, LED Mosquito-lured Lamp and so on.

PRODUCT APPLICATION

- Curing
- Sterilization
- Medical, nail dryer
- Forensics
- Currency Verification, currency detector
- Fluorescence Microscopy
- Inspection of dyes, rodent and animal contamination
- Leak detection



Our Advantages:

1. Best raw materials from domestic and foreign well-known brand manufactures.
2. Strict testing before shipping.
3. Best logistics services for all shipments.
4. 3 years warranty for all products

OUR COMPANY

Dongguan Zhiding Electronics Technology Co., Ltd

Dongguan Zhiding Electronics Technology Co., Ltd was formally established in 2009. The production base is located in Zhaoqing Lineng industrial park, specializing in the production and sale of high-quality LED light emitting diode and other LED related products.

We rely on the industry's senior talent advantage, perfect manufacturing technology, reliable production technology, intimate and quick after-sales service, is committed to creating a world famous brand.



OUR FACTORY



FAQ

Q1. Can I have a sample order?

A: Sample order is welcomed to test and check quality. Mixed samples are welcomed as well.

Q2. What about the lead time?

A: 3-7 working days for sample, 10-15 working days for bulky order based on the quantity.

Q3. How about MOQ?

A: Low MOQ, 1pc for sample checking is available.

Q4. How do you ship the goods and how long does it take to arrive?

A: We usually ship by DHL, UPS, FedEx or TNT. It usually takes 3-7 days to arrive. Airline and sea shipping also optional.

Q5. How to proceed an order?

A. Please tell us your requirements or application.

B. Quotation or solution will be sent to you accordingly.

C. Sample will be shipped to you after everything is confirmed

D. Modify or confirm the order according to your opinion.

E. Start the production after your confirmation of order.

Q6: Do you provide OEM service?

A: Yes. OEM is welcomed .

Q7: Do you offer guarantee for the products?

A: Yes, 3 years warranty.

For SMD 3030 UV led, we welcome samples order to test order. We will provide professional technical guidance and support on LED.