

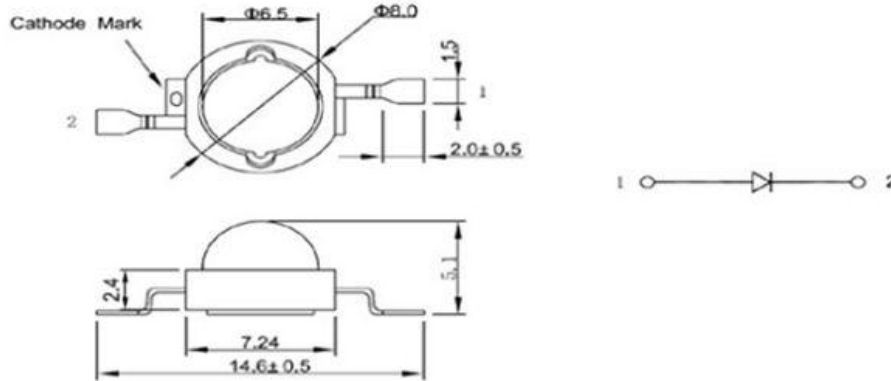
**1W 3W white led**

**Product Description**

High power white led is used for lighting on many electronic products, such as flashlight; car light; tube light. 1W 3W white led have high brightness, is 110-130lm based on 350ma current, CRI is 80. Our factory has large capacity and guarantees high quality for 1W 3W white led.

**Package Description**

**Package Dimensions**



Unit: (mm)

Tolerance: ±0.5mm

**1W 3W white led Parameter:**

Part Number	Emitte d Color	CCT	CR I	Vf(V) IF=@350m A		Lumen IF=@350m A		Viewin g Angle
				Typ	Max	Min	Typ	
AL-H80SCCW-JLIL-M	Cool white	9000 K	80	2.8	3.4	110	130	140
AL-H80SCNW-JLIL-M	White	6000 K	80	2.8	3.4	110	130	140
AL-H80SCWW-JLIL-M	Warm White	3000 K	80	2.8	3.4	100	120	140

### **1W 3W white led Features:**

1. Energy-efficient, Environmental friendly, Conform to the RoHS Standard;
2. Radiation-free;
3. High reliability, Long Life-span;
4. Mechanical vibrate resistant;
5. Low heating value;
6. Compatible with automatic SMT equipment;
7. Compatible with reflow soldering process;



### **Application for 1W 3W white led**

Indoor and outdoor commercial lighting  
General lighting  
Automotive lights  
LCD TU/monitor backlights  
Traffic Light

### **Production for 1W 3W white led**

1W 3W white led using the most advanced full ASM solid crystal, wire automatic equipment, automatic sub-BIN taping machines and other fully automatic equipment. From Chip solid to Wire bonding, to Plastic Imigation, to Spectrophotometric, each

process we all confirm the quality 100%.

## PRODUCTION PROCESS

01

### Chip Solid

Chip solid station

The most advanced ASM chip solid equipment  
Using the most famous chip material Epileds



03

### Plastic Irrigation

Plastic irrigation station

Full-automatic plastic irrigation equipment  
Make sure operation effective and exact



### Wire Bonding

Wire bonding station

The most advanced KS wire bonding equipment  
Using the most famous gold wire Doublink

02



### Spectrophotometric

Spectrophotometric station

Full-automatic spectrophotometric equipment  
Make sure spectrophotometric exact and reliability

04

### Shipping for 1W 3W white led

All major express delivery, or customer-preferred delivery, we all can arrange. If customers do not have special preferences, we will choose cost-effective, time-sensitive express delivery services for our

customers.



### **1W 3W white led Information and Production Line**

For high-power LEDs, heat dissipation is the most important because of the large brightness. The materials used in our production are easy to dissipate. Customers also have the option of dissipating heat for high-power LEDs plus aluminum substrates. At the same time, the customer must pay attention to the good heat dissipation environment of the product in order to prolong the service life of the product.



We have advanced testing equipment, can be "normal temperature continuous light lifetest", "high temperature and high humidity cycle test", "cold and hot shock cycle test" and "high and low temperature storage test", "high temperature continuous light test", "salt spray test" and reliability test, for all kinds of product reliability test of periodic on a regular basis, provides the high quality for our product quality assurance.



## PRODUCTION ENVIRONMENT



### FAQ:

Q1. What is your main products?

A1. Dongguan Zhiding Electronics Technology Co., LTD is a high-tech enterprise specialized in manufacturing, designing and selling high quality LED lighting and LED related products. We have SMD LEDs, Dip leds, High Power LEDs, Piranha LEDs, IR LEDs and UV LEDs and so on. Welcome to receive your inquiry.

Q2. Do you have any certifications for your products?

A2. Yes, All of led have SGS certification.

Q3. How long of your warranty time?

A3. We offer 3 years warranty.

Q4. What chip you usually use for your led?

A4. Normally we use Taiwan chip. We will choose suitable chip for different leds.

Q5. Can you provide customization and OEM service?

A5. Yes, we offer customization and OEM service, please tell us your requirements clearly.

**More details about 1W 3W white led, please feel free to contact us!**

**WELCOME TO CONTACT US>>>>WWW.ZHIDINGLED.COM**



Oversea Sales Manager

Elsa Xiao

E-mail:sales@zhidingled.com

Skype: elsa.xiao0418

Mobile: 86-13412570091

WhatsApp: 86-13412570091

Tel: 86-769-22665151

Fax:86-769-22665155